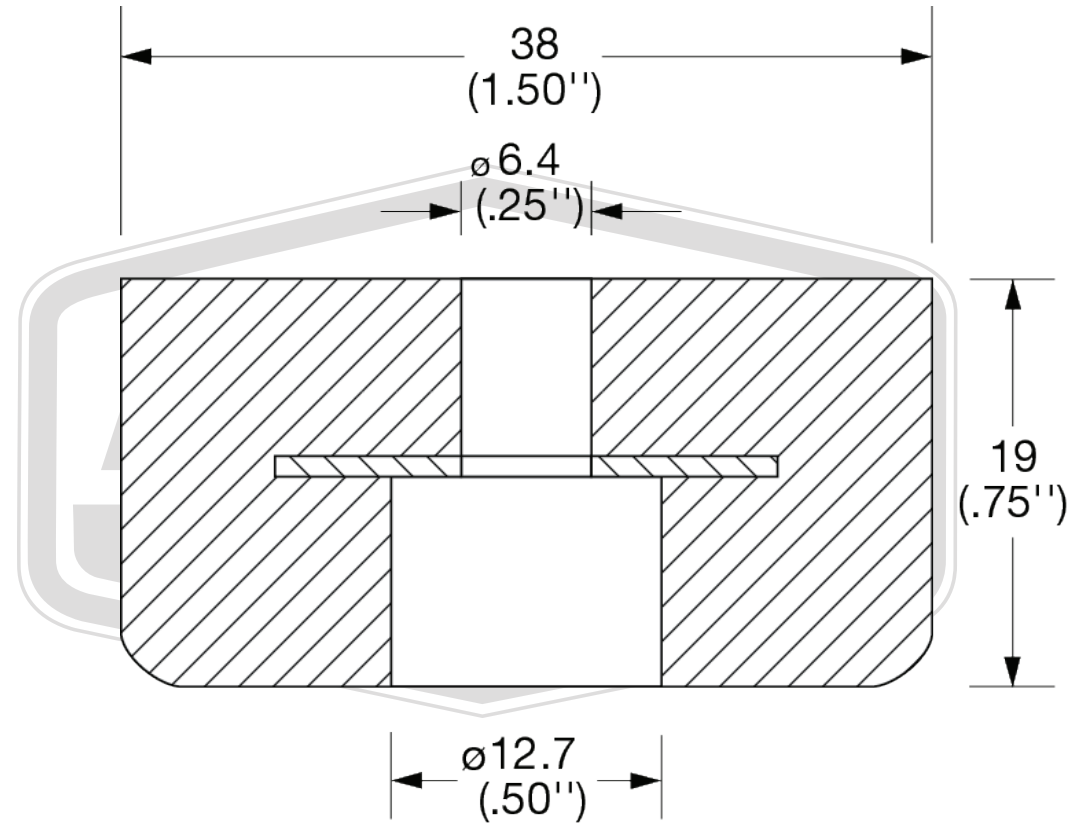


APPROVAL - CUSTOMER NAME & SIGNATURE

DATE



**ALLEGIS**

1-866-378-7550

MATERIAL:

Black Rubber

DRAWING NO. :

91004

FINISH:

REV.:

1:1

DATE:

5-20-2020

RUBBER FOOT w/ STEEL WASHER 1.50"